

# DESIGN MUSEUM

# BRUSSELS

ACTIVITY

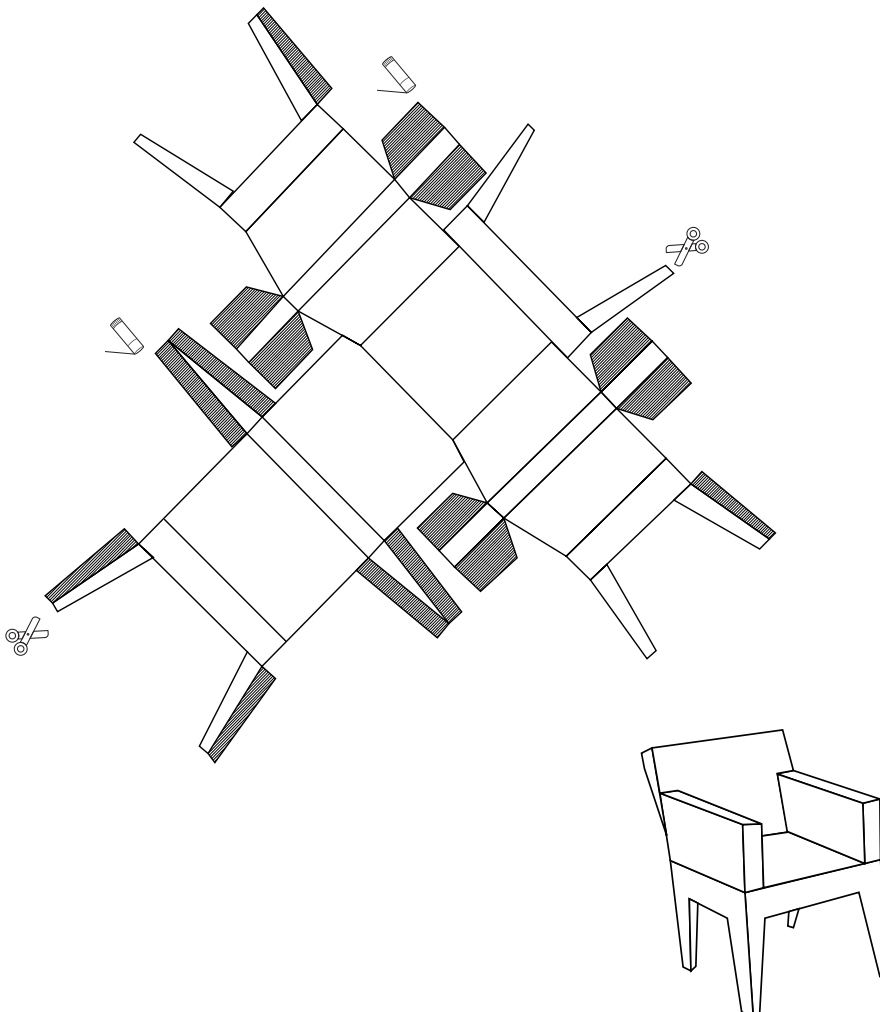
## Make your own design chair

### Material

- A pattern of a chair
- Scissors
- Glue
- Markers or coloured pencils
- Anything you can reuse

### How?

Have you always dreamed of becoming a designer or are you a born creative? Then this is your moment to show us your creative talents. Use one of our patterns and create your own 3D scale model of a chair. Let your imagination run free, change the chair into a throne, adjust the back or the seat or add a beach umbrella for the sunny days!



Share your creation via  
[#designmuseumbrussels](https://twitter.com/designmuseumbrussels)  
or  
[info@designmuseum.brussels](mailto:info@designmuseum.brussels)

